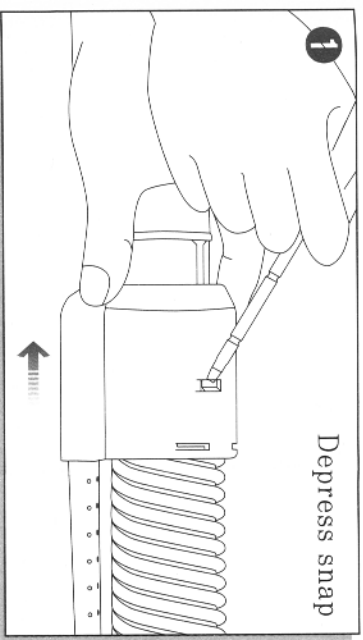
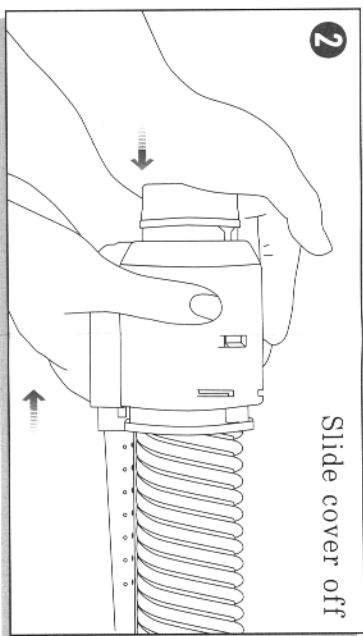


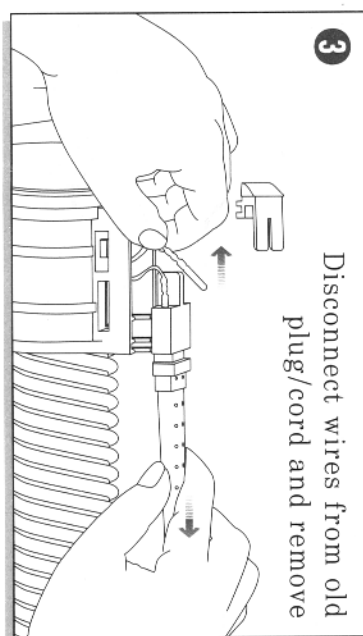
Wall End Conversion



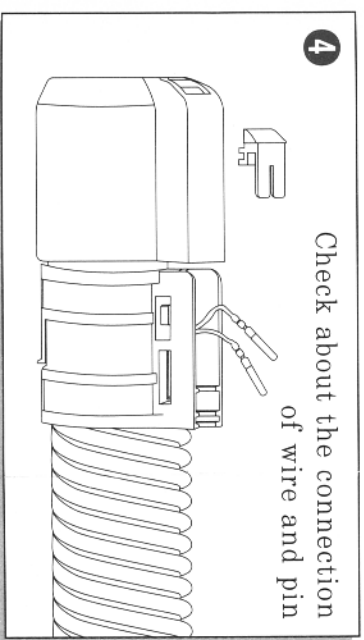
1 Depress snap



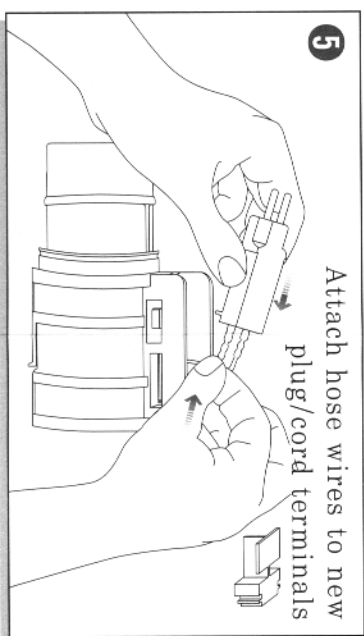
2 Slide cover off



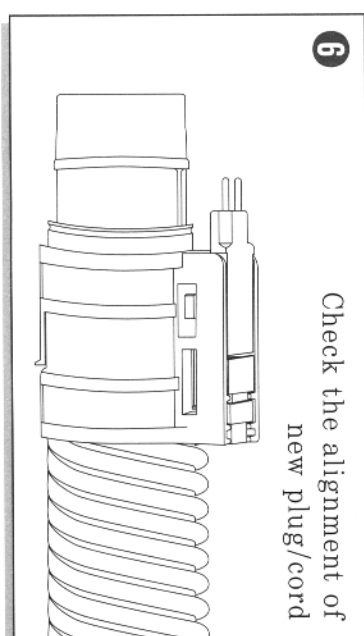
3 Disconnect wires from old plug/cord and remove



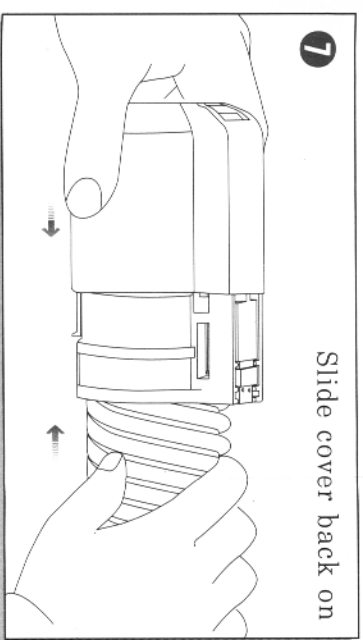
4 Check about the connection of wire and pin



5 Attach hose wires to new plug/cord terminals



6 Check the alignment of new plug/cord



7 Slide cover back on



8 Ensure snap is fully engaged

HOSE CONVERSION KIT

CAUTION: NO USER SERVICEABLE PARTS SERVICE TO BE PERFORMED BY AUTHORIZED SERVICE REPRESENTATIVE ONLY
CONSUMER PLEASE DISCARD